

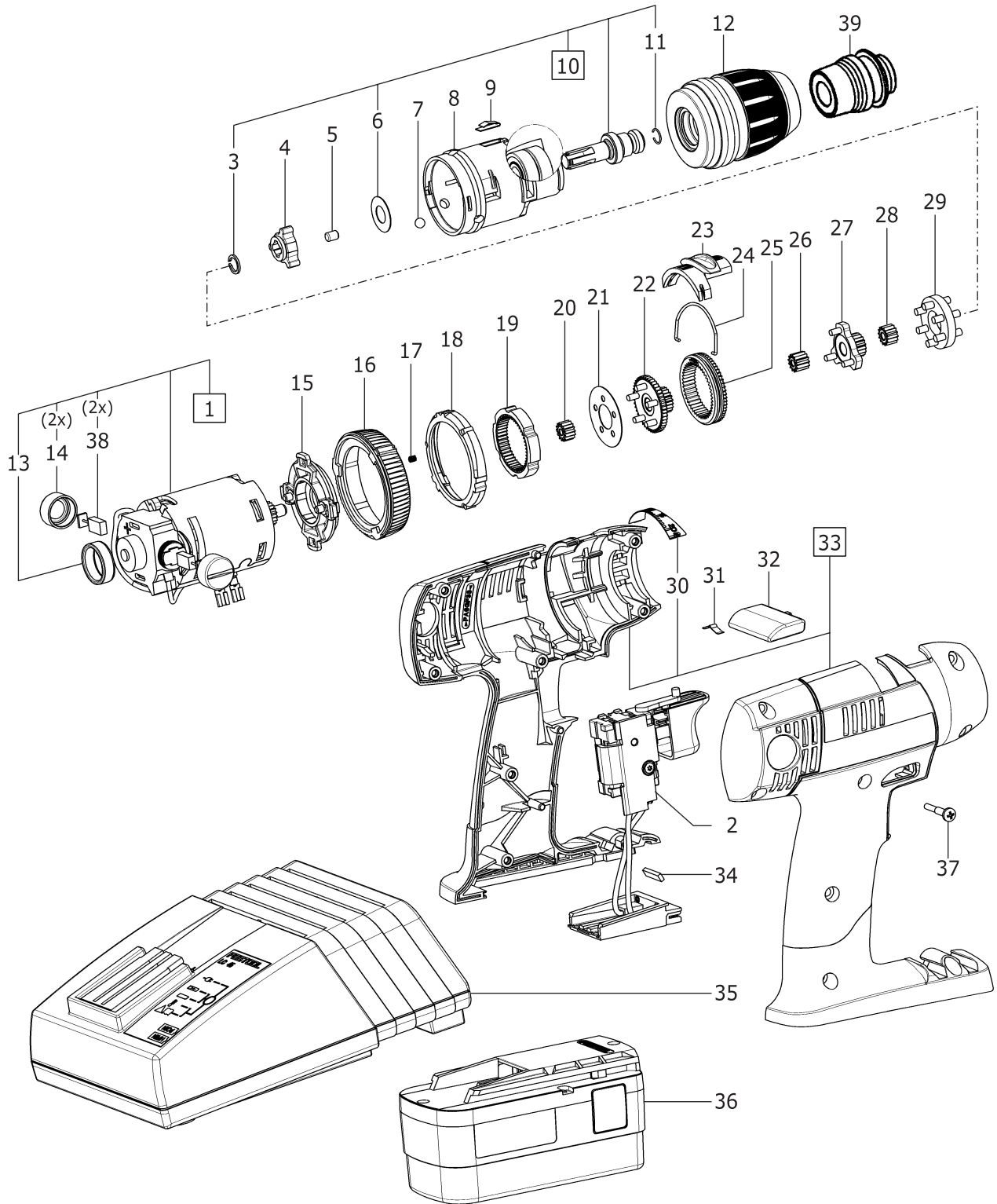
Bitte B.Nr. bei Ersatzteilbestellungen angeben!  
Please give B.Nr. when ordering spare pieces!



Gültig für B.Nr. / Valid for B.Nr.:

491 246 (TDK 12)      492 136 (TDK 12, USA)

490 523 (TDK 15,6)      492 137 (TDK 15,6, USA)



| Pos. Item | Best-Nr./Symbol Order/Symbols | St. Qty. | Pos. Item | Best-Nr./Symbol Order/Symbols | St. Qty. | Pos. Item | Best-Nr./Symbol Order/Symbols | St. Qty. | Pos. Item | Best-Nr./Symbol Order/Symbols | St. Qty. | Pos. Item | Best-Nr./Symbol Order/Symbols | St. Qty. | Pos. Item | Best-Nr./Symbol Order/Symbols | St. Qty. |
|-----------|-------------------------------|----------|-----------|-------------------------------|----------|-----------|-------------------------------|----------|-----------|-------------------------------|----------|-----------|-------------------------------|----------|-----------|-------------------------------|----------|
| 1         | 491 828 TDK 12                | 1        | 9         | 466 084                       | 1        | 19        | 457 741                       | 1        | 29        | 490 460                       | 1        | 35        | 492 138 LC 45 (USA)           | 1        |           |                               |          |
| 1         | 491 829 TDK 15,6              | 1        | 10        | 493 282                       | 1        | 20        | 457 742                       | 3        | 30        | 459 433                       | 1        | 36        | 492 268 BPS 12 S NiCd         | 1        |           |                               |          |
| 2         | 491 834 TDK 12                | 1        | 11        | 446 416                       | 1        | 21        | 461 904                       | 1        | 31        | 457 753                       | 1        | 36        | 491 821 BPS 12 S NiMH         | 1        |           |                               |          |
| 2         | 491 835 TDK 15,6              | 1        | 12        | 490 698 BF-FX 13              | 1        | 22        | 490 458                       | 1        | 32        | 451 527                       | 1        | 36        | 492 269 BPS 15,6 S NiCd       | 1        |           |                               |          |
| 3         | 206 666                       | 1        | 13        | 459 889                       | 1        | 23        | 457 755                       | 1        | 33        | 491 832 TDK 12                | 1        | 36        | 491 823 BPS 15,6 S NiMH       | 1        |           |                               |          |
| 4         | 457 751                       | 1        | 14        | 460 101                       | 2        | 24        | 457 754                       | 1        | 33        | 491 833 TDK 15,6              | 1        | 37        | 400 174                       | 8        |           |                               |          |
| 5         | 457 767                       | 3        | 15        | 462 594                       | 1        | 25        | 457 743                       | 1        | 34        | 462 693                       | 1        | 38        | 492 509                       | 1        |           |                               |          |
| 6         | 467 743                       | 1        | 16        | 457 740                       | 1        | 26        | 457 744                       | 6        | 35        | 491 820 LC 45                 | 1        | 39        | 492 135                       | 1        |           |                               |          |
| 7         | 200 863                       | 3        | 17        | 457 766                       | 3        | 27        | 490 459                       | 1        | 35        | 491 826 LC 45 (GB)            | 1        |           |                               |          |           |                               |          |
| 8         | 491 830                       | 1        | 18        | 459 427                       | 1        | 28        | 457 748                       | 3        | 35        | 491 827 LC 45 (AUS)           | 1        |           |                               |          |           |                               |          |